

# Aluminium portholes – L

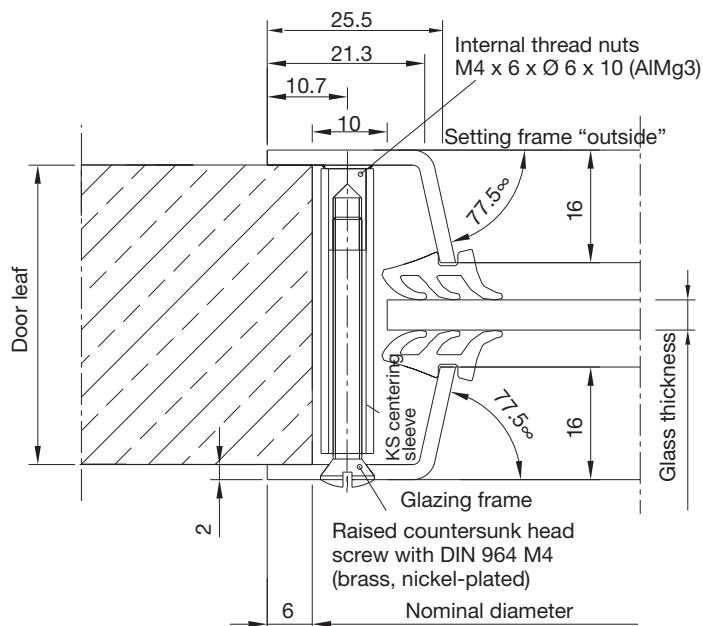
## Design B – screw fitting visible on one side

Surface: finely brushed with serrated grinder (carded web/linen, fine grain 150) and finished with abrasive web (grain size 320) for powder-coating.

Aluminium, raw	Price €/unit					
Nominal diameter:	200 mm	250 mm	300 mm	350 mm	400 mm	500 mm
1 unit	148,-	148,-	148,-	153,-	168,-	188,-
2 units	132,-	132,-	132,-	138,-	152,-	173,-
3 units	126,-	126,-	126,-	132,-	148,-	167,-
5 units	123,-	123,-	123,-	127,-	141,-	164,-
10 units	120,-	120,-	120,-	125,-	140,-	160,-
20 units	119,-	119,-	119,-	123,-	138,-	159,-

Prices without glass, plus VAT in euro. Delivery ex works, packed

Price for powder-coating and anodising on request.



## Design B

### Ordering details:

Door leaf thickness: \_\_\_\_\_ mm

Nominal diameter: \_\_\_\_\_ mm

Glass thickness: \_\_\_\_\_ mm

Units: \_\_\_\_\_

Surface:

Aluminium, raw, brushed

E6/Colour number \_\_\_\_\_

Powder-coated according to RAL \_\_\_\_\_

### 1 unit comprises:

1 setting frame, 1 glazing frame, 8 raised countersunk head screws, 8 K/S centering sleeves, glazing seal