

Aluminium portholes – L

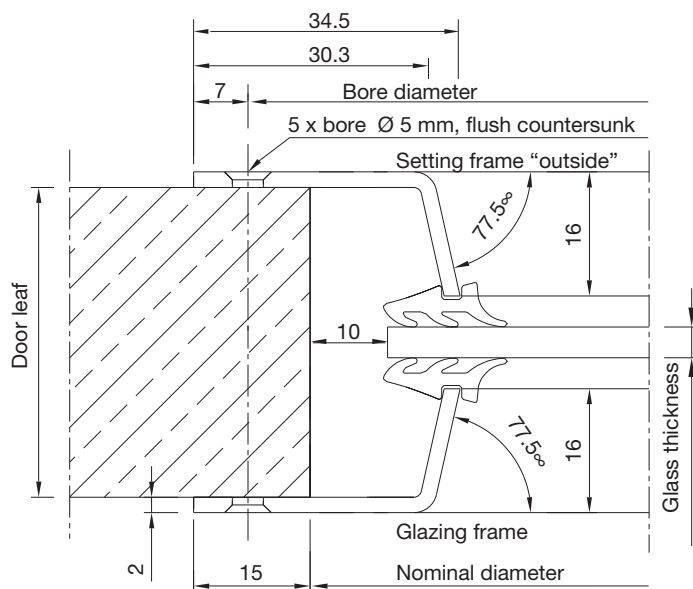
Design D – flat-leaf screw fitting

Surface: finely brushed with serrated grinder (carded web/linen, fine grain 150) and finished with abrasive web (grain size 320) for powder-coating.

Aluminium raw	Price €/unit					
Nominal diameter:	200 mm	250 mm	300 mm	350 mm	400 mm	500 mm
1 unit	135,-	135,-	135,-	139,-	153,-	183,-
2 units	119,-	119,-	119,-	124,-	138,-	167,-
3 units	113,-	113,-	113,-	119,-	134,-	161,-
5 units	109,-	109,-	109,-	114,-	129,-	157,-
10 units	106,-	106,-	106,-	111,-	126,-	154,-
20 units	105,-	105,-	105,-	110,-	124,-	153,-

Prices without glass, plus VAT in euro. Delivery ex works, packed.

Price for powder-coating and anodising on request.



Design D

Ordering details:

Door leaf thickness: _____ mm

Nominal diameter: _____ mm

Glass thickness: _____ mm

Units: _____

Surface:

Aluminium, raw, brushed

E6/Colour number _____

Powder-coated according to RAL _____

1 unit comprises:

1 setting frame, 1 glazing frame,

10 countersunk head screws, glazing seal