

Aluminium portholes – L

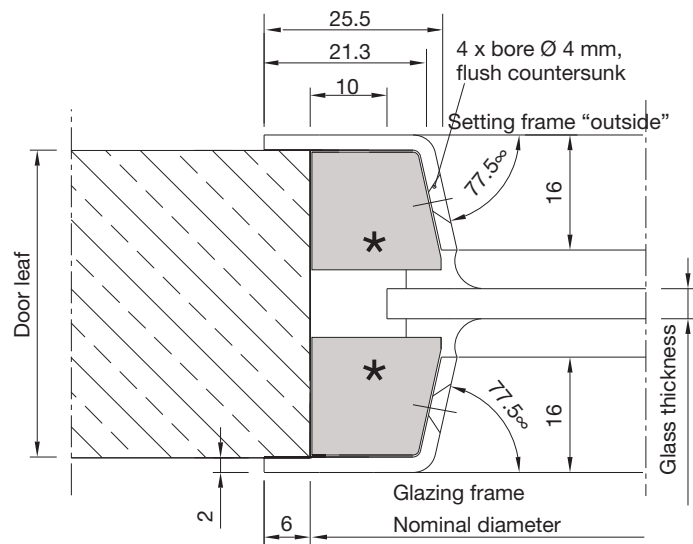
Design E – folded screw fitting

Surface: finely brushed with serrated grinder (carded web/linen, fine grain 150) and finished with abrasive web (grain size 320) for powder-coating.

Aluminium, raw	Price €/unit					
Nominal diameter:	200 mm	250 mm	300 mm	350 mm	400 mm	500 mm
1 unit	131,-	131,-	131,-	137,-	151,-	171,-
2 units	116,-	116,-	116,-	121,-	136,-	154,-
3 units	111,-	111,-	111,-	116,-	130,-	150,-
5 units	107,-	107,-	107,-	111,-	125,-	146,-
10 units	103,-	103,-	103,-	109,-	123,-	143,-
20 units	102,-	102,-	102,-	107,-	122,-	141,-

Prices without glass, plus VAT in euro. Delivery ex works, packed.

Price for powder-coating and anodising on request.



Design E

Ordering details:

Door leaf thickness: _____ mm

Nominal diameter: _____ mm

Glass thickness: _____ mm

Units: _____

Surface:

Aluminium, raw, brushed

E6/Colour numbers _____

Powder-coated according to RAL _____

1 unit comprises:

1 setting frame, 1 glazing frame,
8 countersunk head screws (without glazing seal)

* rebate strips provided by customer