

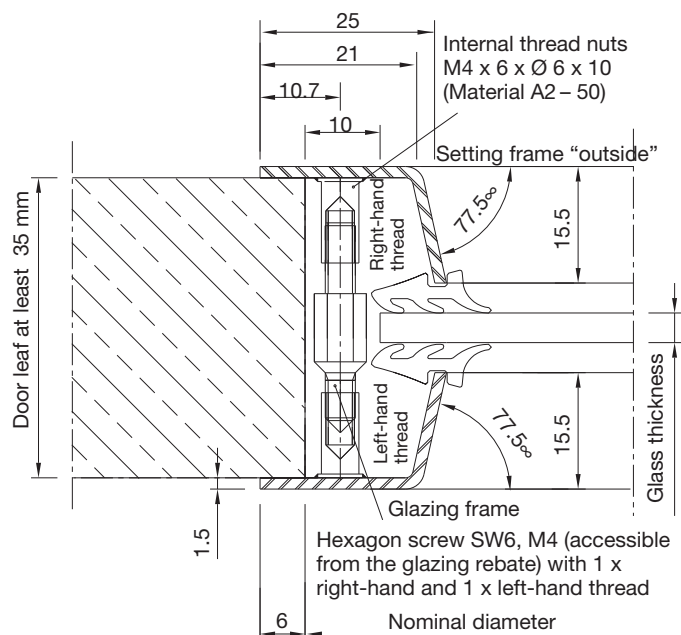
Stainless steel portholes – L

Design A – invisible screw fitting

Surface: finely brushed with serrated grinder (carded web/linen, fine grain 150) and finished with abrasive web (grain size 320).

Nominal diameter:	Price €/unit					
	200 mm	250 mm	300 mm	350 mm	400 mm	500 mm
1 unit	199,-	199,-	199,-	210,-	230,-	259,-
2 units	184,-	184,-	184,-	194,-	215,-	244,-
3 units	178,-	178,-	178,-	188,-	210,-	239,-
5 units	174,-	174,-	174,-	184,-	206,-	233,-
10 units	171,-	171,-	171,-	181,-	202,-	231,-
20 units	170,-	170,-	170,-	179,-	201,-	230,-

Prices without glass, plus VAT in euro. Delivery ex works, packed.



Design A

Ordering details:

Door leaf thickness: _____ mm

Nominal diameter: _____ mm

Glass thickness: _____ mm

Units: _____

Surface: finely brushed with serrated grinder (carded web/linen, fine grain 150) and finished with abrasive web (grain size 320).

1 unit comprises:

1 setting frame, 1 glazing frame,
4 hexagon screws with wrench, glazing seal

Construction-conditioned, the thickness of the door leaf must be at least 35 mm.