

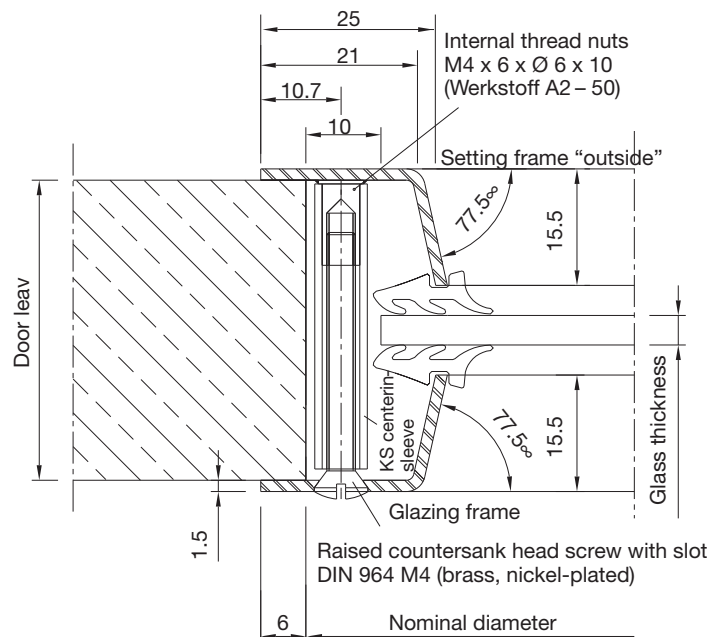
Stainless steel portholes – L

Design B – screw fitting visible on one side

Surface: finely brushed with serrated grinder (carded web/linen, fine grain 150) and finished with abrasive web (grain size 320).

	Price €/unit					
Nominal diameter:	200 mm	250 mm	300 mm	350 mm	400 mm	500 mm
1 unit	173,-	173,-	173,-	183,-	203,-	232,-
2 units	157,-	157,-	157,-	167,-	188,-	217,-
3 units	152,-	152,-	152,-	163,-	184,-	212,-
5 units	149,-	149,-	149,-	158,-	179,-	208,-
10 units	145,-	145,-	145,-	154,-	177,-	204,-
20 units	144,-	144,-	144,-	153,-	174,-	203,-

Prices without glass, plus VAT in euro. Delivery ex works, packed.



Design B

Orderin details:

Door leaf thickness: _____ mm

Nominal diameter: _____ mm

Glass thickness: _____ mm

Units: _____

Surface: finely brushed with serrated grinder (carded web/linen, fine grain 150) and finished with abrasive web (grain size 320).

1 unit comprises:

- 1 setting frame, 1 glazing frame,
- 8 raised countersunk head screws, 8 x KS centering sleeve, glazing seal