

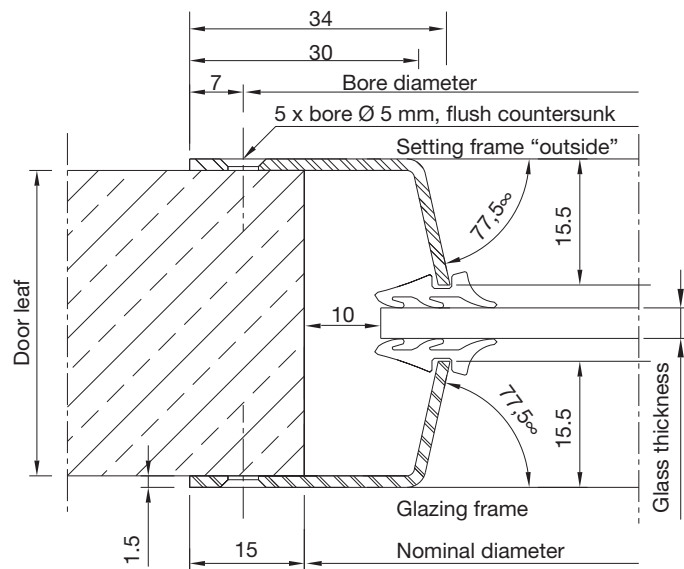
# Stainless steel portholes – L

## Design D – flat-leaf screw fitting

Surface: finely brushed with serrated grinder (carded web/linen, fine grain 150) and finished with abrasive web (grain size 320).

Nominal diameter:	Price €/unit					
	200 mm	250 mm	300 mm	350 mm	400 mm	500 mm
1 unit	157,-	157,-	157,-	167,-	188,-	217,-
2 units	140,-	140,-	140,-	152,-	173,-	202,-
3 units	137,-	137,-	137,-	146,-	168,-	198,-
5 units	132,-	132,-	132,-	143,-	164,-	193,-
10 units	129,-	129,-	129,-	139,-	160,-	189,-
20 units	127,-	127,-	127,-	138,-	159,-	188,-

Prices without glass, plus VAT in euro. Delivery ex works, packed.



### Design D

#### Ordering details:

Door leaf thickness: \_\_\_\_\_ mm

Nominal diameter: \_\_\_\_\_ mm

Glass thickness: \_\_\_\_\_ mm

Units: \_\_\_\_\_

Surface: finely brushed with serrated grinder (carded web/linen, fine grain 150) and finished with abrasive web (grain size 320).

#### 1 unit comprises:

- 1 setting frame, 1 glazing frame,
- 10 countersunk head screws, glazing seal