

# Aluminium portholes – L

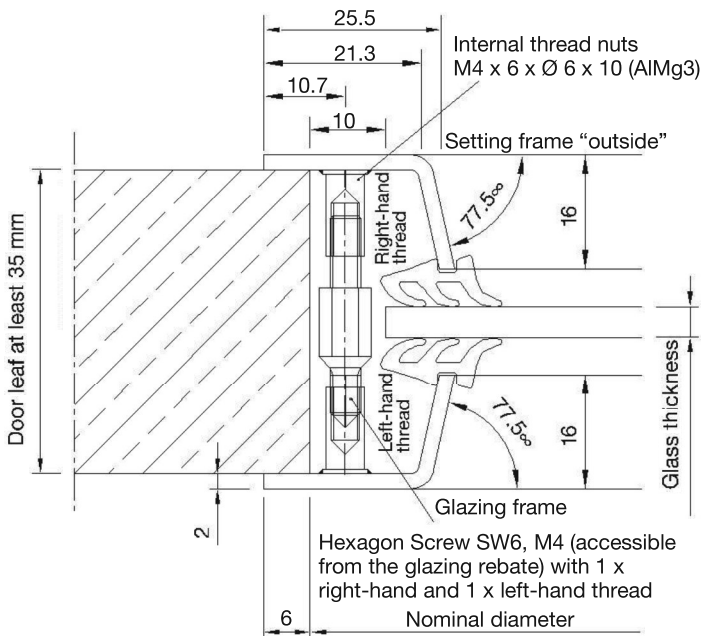
## Design A – invisible screw fitting

Surface: finely brushed with serrated grinder (carded web/linen, fine grain 150) and finished with abrasive web (grain size 320) for powder-coating.

Aluminium, raw	Price €/unit					
Nominal diameter:	200 mm	250 mm	300 mm	350 mm	400 mm	500 mm
1 unit	186,-	186,-	186,-	191,-	207,-	229,-
2 units	169,-	169,-	169,-	175,-	191,-	212,-
3 units	164,-	164,-	164,-	170,-	185,-	207,-
5 units	159,-	159,-	159,-	165,-	181,-	204,-
10 units	157,-	157,-	157,-	162,-	177,-	199,-
20 units	155,-	155,-	155,-	160,-	176,-	197,-

Prices without glass, plus VAT in euro. Delivery ex works, packed.

**Price for powder-coating and anodising on request.**



### Design A Ordering details:

Nominal diameter: \_\_\_\_\_ mm

Door leaf thickness: \_\_\_\_\_ mm

Glass thickness: \_\_\_\_\_ mm

Units: \_\_\_\_\_

Surface:

- Aluminium, raw, brushed
- E6/Colour number \_\_\_\_\_
- Powder-coated according to RAL \_\_\_\_\_

#### 1 unit comprises:

- 1 setting frame, 1 glazing frame,
- 4 hexagon screws with wrench, glazing seal

**Construction-conditioned, the thickness of the door leaf must be at least 35 mm.**