

# Aluminium portholes – L

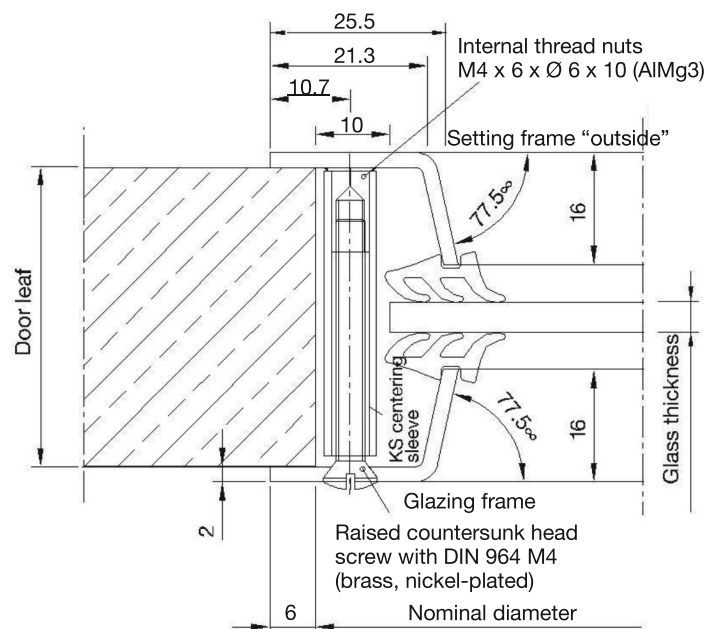
## Design B – screw fitting visible on one side

Surface: finely brushed with serrated grinder (carded web/linen, fine grain 150) and finished with abrasive web (grain size 320) for powder-coating.

Aluminium, raw	Price €/unit					
Nominal diameter:	200 mm	250 mm	300 mm	350 mm	400 mm	500 mm
1 unit	157,-	157,-	157,-	162,-	178,-	199,-
2 units	140,-	140,-	140,-	146,-	161,-	183,-
3 units	134,-	134,-	134,-	140,-	157,-	177,-
5 units	130,-	130,-	130,-	135,-	150,-	174,-
10 units	127,-	127,-	127,-	133,-	148,-	170,-
20 units	126,-	126,-	126,-	130,-	146,-	169,-

Prices without glass, plus VAT in euro. Delivery ex works, packed

**Price for powder-coating and anodising on request.**



## Design B

### Ordering details:

Nominal diameter: \_\_\_\_\_ mm

Door leaf thickness: \_\_\_\_\_ mm

Glass thickness: \_\_\_\_\_ mm

Units: \_\_\_\_\_

Surface:

Aluminium, raw, brushed

E6/Colour number \_\_\_\_\_

Powder-coated according to RAL \_\_\_\_\_

### 1 unit comprises:

1 setting frame, 1 glazing frame, 8 raised countersunk head screws, 8 KS centering sleeves, glazing seal