

Aluminium portholes – L

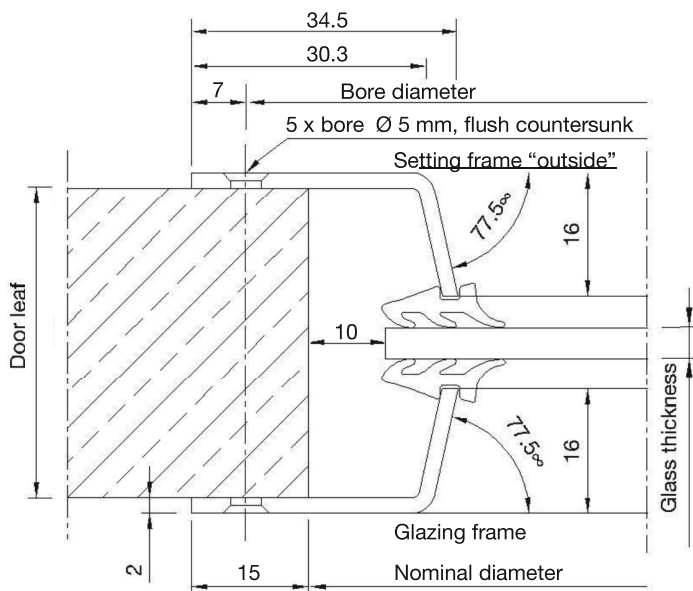
Design D – flat-leaf screw fitting

Surface: finely brushed with serrated grinder (carded web/linen, fine grain 150) and finished with abrasive web (grain size 320) for powder-coating.

Aluminium raw	Price €/unit					
	200 mm	250 mm	300 mm	350 mm	400 mm	500 mm
Nominal diameter:						
1 unit	143,-	143,-	143,-	147,-	162,-	194,-
2 units	126,-	126,-	126,-	132,-	146,-	177,-
3 units	120,-	120,-	120,-	126,-	142,-	171,-
5 units	116,-	116,-	116,-	121,-	137,-	167,-
10 units	112,-	112,-	112,-	118,-	134,-	163,-
20 units	111,-	111,-	111,-	117,-	132,-	162,-

Prices without glass, plus VAT in euro. Delivery ex works, packed.

Price for powder-coating and anodising on request.



Design D

Ordering details:

Nominal diameter: _____ mm

Door leaf thickness: _____ mm

Glass thickness: _____ mm

Units: _____

Surface:

Aluminium, raw, brushed

E6/Colour number _____

Powder-coated according to RAL _____

1 unit comprises:

1 setting frame, 1 glazing frame,

10 countersunk head screws, glazing seal