

Aluminium portholes – L

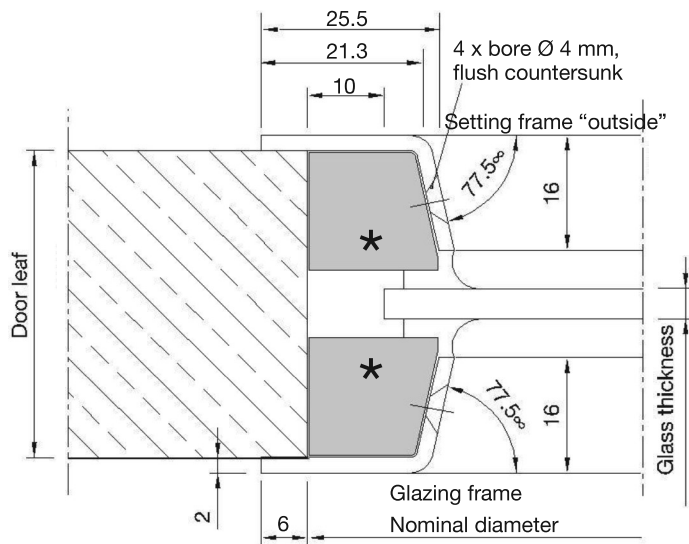
Design E – folded screw fitting

Surface: finely brushed with serrated grinder (carded web/linen, fine grain 150) and finished with abrasive web (grain size 320) for powder-coating.

Aluminium, raw	Price €/unit					
Nominal diameter:	200 mm	250 mm	300 mm	350 mm	400 mm	500 mm
1 unit	139,-	139,-	139,-	145,-	160,-	181,-
2 units	123,-	123,-	123,-	128,-	144,-	163,-
3 units	118,-	118,-	118,-	123,-	138,-	159,-
5 units	114,-	114,-	114,-	118,-	133,-	155,-
10 units	109,-	109,-	109,-	116,-	130,-	152,-
20 units	108,-	108,-	108,-	114,-	129,-	150,-

Prices without glass, plus VAT in euro. Delivery ex works, packed.

Price for powder-coating and anodising on request.



Design E

Ordering details:

Nominal diameter: _____ mm

Door leaf thickness: _____ mm

Glass thickness: _____ mm

Units: _____

Surface:

Aluminium, raw, brushed

E6/Colour numbers _____

Powder-coated according to RAL _____

1 unit comprises:

1 setting frame, 1 glazing frame,

8 countersunk head screws (without glazing seal)

* rebate strips provided by customer